

I particolari col livello (Lv)alto, sono contenuti nei particolari col livello (Lv)più basso elencati subito sopra

Cod. parte 003D4

Tagliapiastrelle .

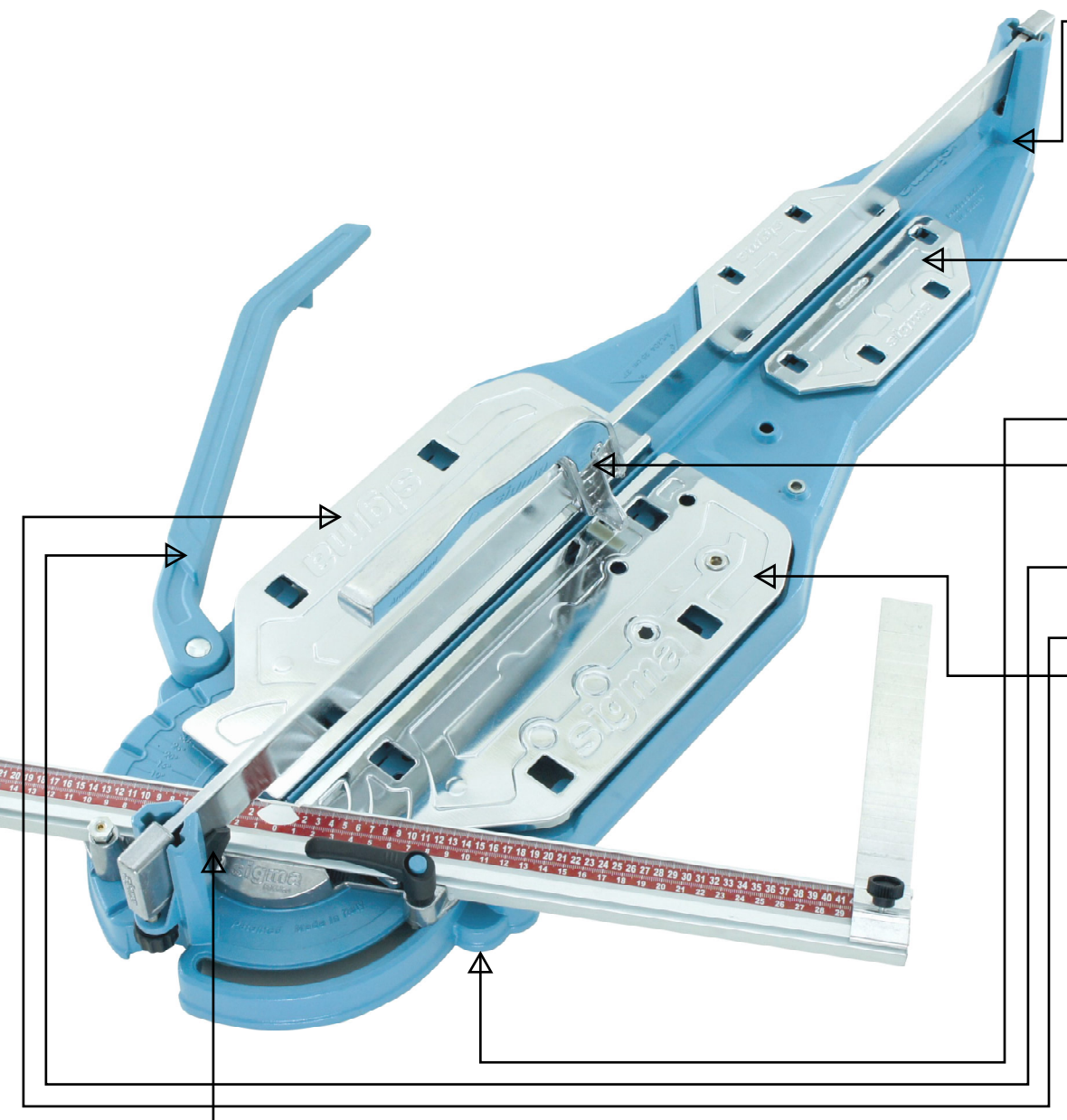
Cm 95

The details with the high level (Lv) are present in particular with the lowest level (Lv) listed immediately above

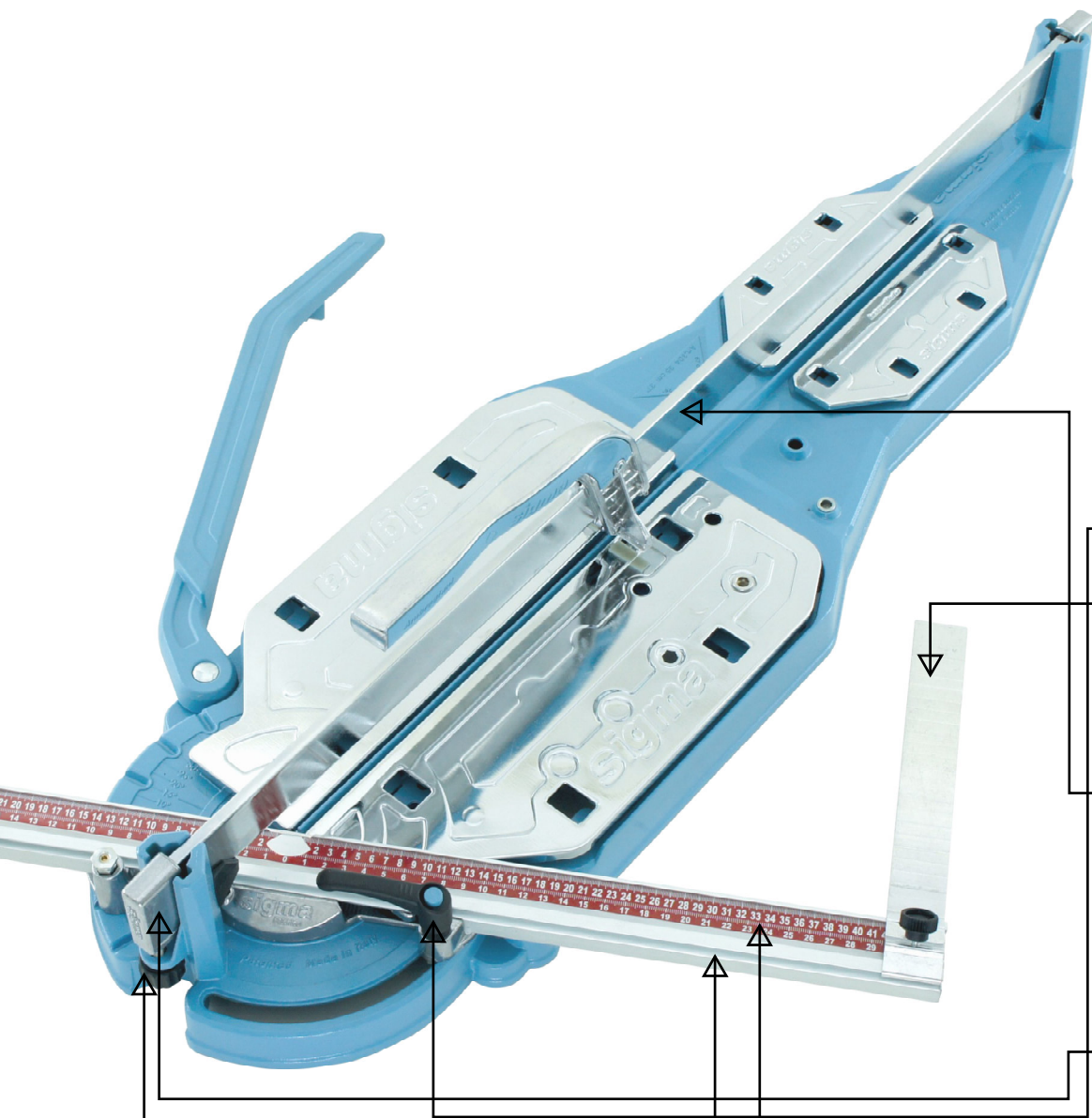
Liv. Componente

Descrizione

Quantità



1	1079113	BASE 3D4 VERN. ***	1,000
2	.104085	BASE 3D4 SBAV ***	1,000
3	..104043	BASE 3D4 BASE CM 95 5,28k	1,000
4	...10345	LAMA SPEZZ.1,5X35X80 X3 (33,0GR CONSFRID)	1,000
5	....10344	LAMA ACCIAIO 1,5X35 BORDO VIVO C67	0,033
1	10489	SCAT 122,0x41,0x 22,5 H cm. 3D-1	1,000
1	105018	POLIST.200X150x150 ANG.SP40mm D25Kg/mc	1,000
1	105040	POLIST. 60x115x415 MM.D20(X 3D)340/m3	1,000
1	10659	MOLLA PIATTI TUTTI H.33 D.14,9 F1,6 ZN	6,000
1	10651	MOLLA COLONN 3GD D18x110x1,7x11sp prezin	2,000
1	104045	FERMO MANICO SCAVO 10 NYLON NERO	1,000
1	106725	TAPPI GOMMA 20/25h24 (serie 3 new+2AB)	6,000
1	1081194	VITI M. 8X20 TTQST 4,8 ZN.DIN603	1,000
1	108149	DADI M. 8 autoblocc Bass UNI7474 DIN 985	1,000
1	108153	ROSE 8,2 18 1 TAZZA C60 ZNB UNI4042	1,000
1	104064	SUPP.MOLL.X3 SX NYLON (ex cod.1079117	1,000
1	108814	PIATTI 246 X 85 SBE 2G ZINCATI	2,000
1	108817	PIATTI 450 X 160 SX X 3 CON ZAMPETTE ZN	1,000
1	108818	PIATTI 450 X 160 DX X 3 CON ZAMPETTE ZN	1,000
1	1081165	DADI M. 8 INSERTO T.CIL. NORM ZIGR LUNGO	1,000
1	024AE	IMPUGN.*TR SC.10 X 3-CD 4A ERGONOMICA	1,000
2	.1079127	IMP 24 10 ERGO LUCI ALL ,413KG	1,000
3	..104048	IMP 24 10 ERGO BASE ALL ,413KG	1,000
2	.104049	COPE IMPU 24E ERGO SX CILINDRI PICCOLI	1,000
2	.104050	COPE IMPU 24E ERGO DX CILINDRI GROSSI	1,000
2	.10785	COLLA LOXEAL Istant-14 A GRAMMI 1G=0,06	0,300
2	.107512	ROTE.D12 S3 F3 affilata nuda	1,000
2	.1081	DADI M. 3 autoblocc ALTO UNI7473 ZNB	1,000
2	.108357	VITI M. 3X16 riv. COATING B pern rot 14a	1,000
3	..108313	VITI M. 3X16 carbonit NO ZN PERN ROT 14A	1,000
2	.1081160	VITI M. 5X25 TCEI block.9mm fil.UNI 5931	1,000
2	.108142	VITI M. 5X25 TCEI ZINC DIN 912	1,000
2	.108148	DADI M. 5 autoblocc Bass UNI7474 DIN 985	2,000
2	.10164	CUSCI.SF. 5 16 5 base senza asse gr.6	1,000



2	.104033	PROT.SOTTOPIEDE X LEVA 24-24E-24K	1,000
1	090LD	BARRA GONIOM.X 3D/MK 3PM/K 638-0-458 MM	1,000
2	.1079131	GONIO.3 AB PULSANTE MONTATO	1,000
3	..1079116	GONIO.3 AB LUCID.	1,000
4	...104044	GONIO.3 AB BASE 0,225 GR	1,000
3	..108337	TORN TAG 3 GONIO 10X53,35 ECCEN OTTONE	1,000
3	..106517	MOLLA PULSANT GONIO 3 D.10,6 H29 F0,7 ZN	1,000
3	..108182	DADI M. 8X 6 ESAGO.medi ZN UNI 5588"SBE"	1,000
3	..1081146	TORN TAG DADI 8X7,9 ZINC PULS 3 ,0064KG	1,000
2	.108116	VITI 4x19 TSP AUTOPERF.ZIN.TORX	3,000
2	.278	ESTR 49x 26x1100 GON 3D	1,000
3	..103811	ESTR 49x 26 GONIO 3 anodiz.verg.lun.6650	0,906
4	...10387	ESTR 49x 26 gonio3 grezVERG.LUNGH.6650mm	1,000
3	..103811	ESTR 49x 26 GONIO 3 anodiz.verg.lun.6650	0,021
4	...10387	ESTR 49x 26 gonio3 grezVERG.LUNGH.6650mm	1,000
2	.107125	RIGH.METR.3D 638-0-458 MM +ADS+FUST.	1,000
1	105026	POLIST. 55x55x55MM. D30	1,000
1	108621	POM-MANIGLIA 8X40 R80 A SCATTO 3AB ERGO	1,000
1	1079104	TORN TAG DADI 8X10,2 ESA20 XGonio,0125KG	1,000
1	019D	SQUAD.BIFAC.X3ABCDE *COMPLETA	1,000
2	.1079115	SQUAD.BIFAC.X3 BURATT+BRILL	1,000
3	..274	SQUAD.BIFAC.X3 BASE 40 MM (1 PZ.GR.128	1,000
4	...10388	ESTR308X 20 xsquad3 V.LUNG.7000 3,2k/m	0,164
2	.10861	POMOLO D.25 M 6 X 15 PUNTA PIANA (nylon)	1,000
1	039N2	GUIDA 3D2 CROMATA DRITTA MM.1158	1,000
2	.390	GUIDA 3D2 CROMATA STORTA MM.1158	1,000
3	..271	GUIDA 3D2 BASE MM.1158	1,000
4	...10311	TRAF.RET 50X10 C45 B.TONDO (L.5900-0+100	4,555
5	....10311B	TRAF.RET 50X10 C45 B.TOND BAS(5900-0+100	1,000
4	...10311	TRAF.RET 50X10 C45 B.TONDO (L.5900-0+100	0,318
5	....10311B	TRAF.RET 50X10 C45 B.TOND BAS(5900-0+100	1,000
1	020B	BILI COMPL 15 CON POMOLO Universal	2,000
2	.104069	BILI SC 15 CON INSERTO*brillantato	1,000
3	..104066	BILI SC 15 CON INSERTO*grezzo	1,000
4	...1081104	VITI M.10 X 70 TESTA CH.12 ZINC X BILICI	1,000
2	.1086	POMOLO D.32 M10 FORATO PASSANTE (XBILICO	1,000
2	.10811	ROSE 10,5 21 2,0 ZNB UNI 6592 DIN 125-A	1,000
1	106814	SPUGNA 9,53X16,5X16,5 MM (X billico new)	1,000